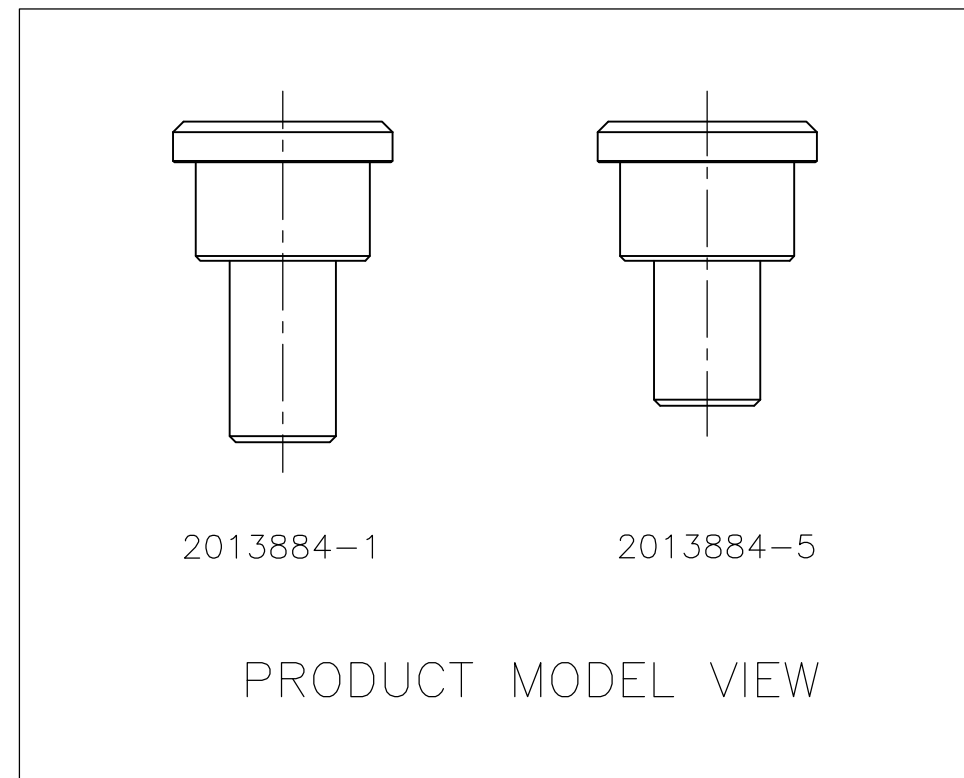
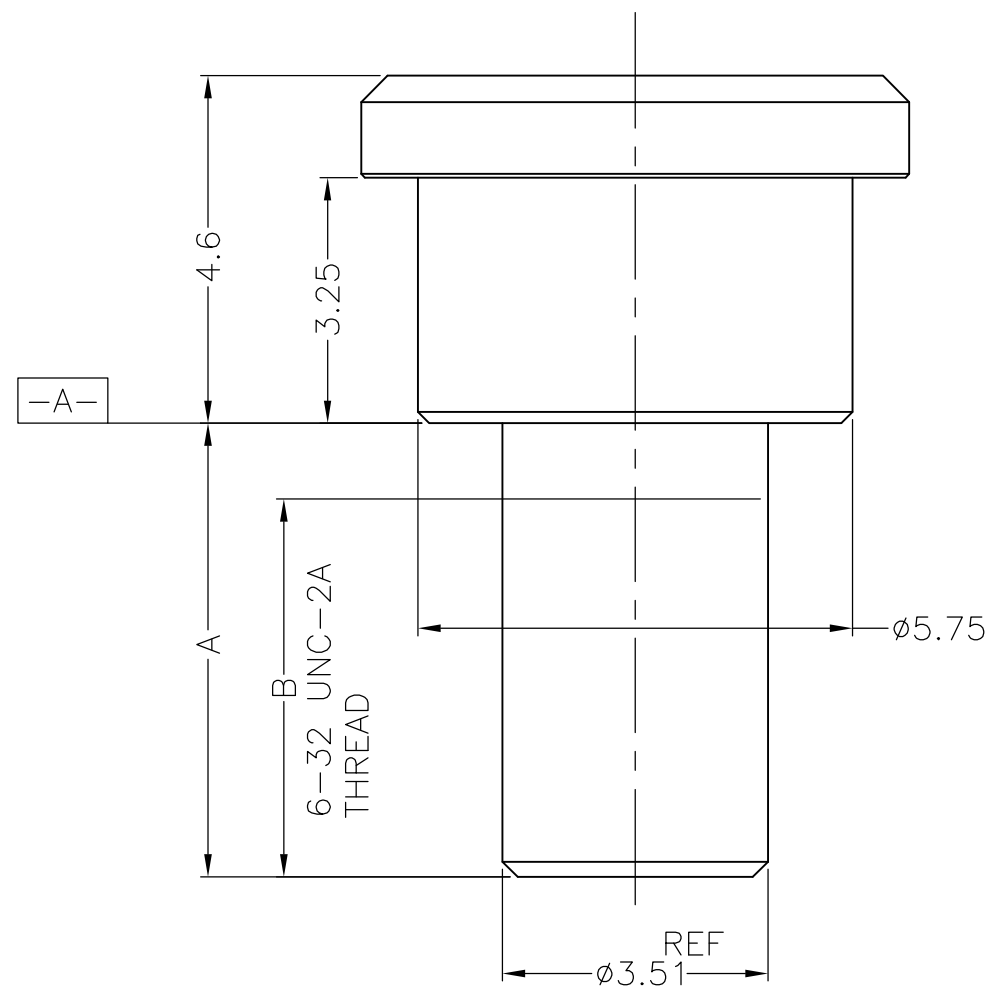
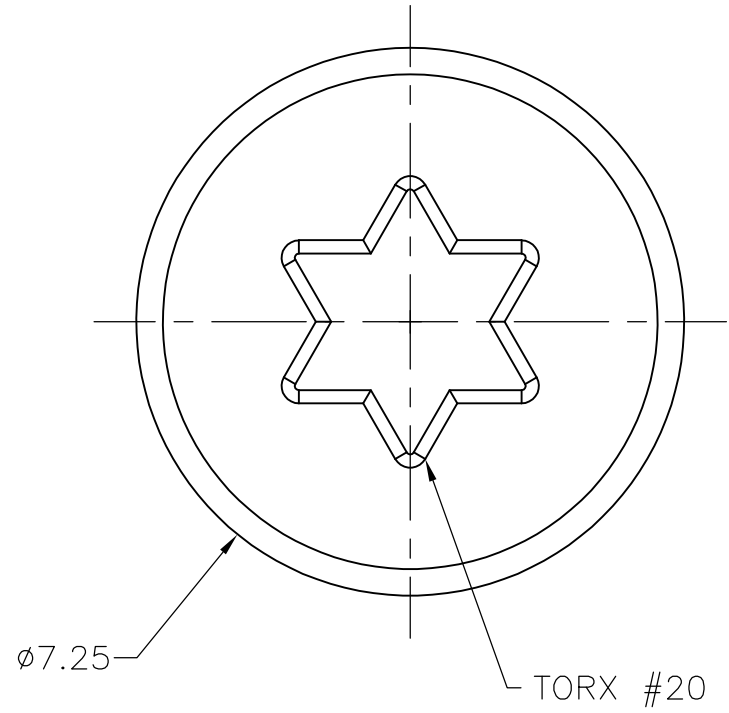


THIS DRAWING IS UNPUBLISHED. RELEASED FOR PUBLICATION
 © COPYRIGHT BY TYCO ELECTRONICS CORPORATION. ALL RIGHTS RESERVED.

LOC		DIST		REVISIONS						
				変更		DESCRIPTION		DATE	DWN	APVD
J		-		P	LTR					
				A1	REVISED			04JUN'13	J.C	T.N



- MATERIAL: STEEL
FINISH: Ni PLATING
- APPLICABLE ILM ASSEMBLY P/N: 2013882 SERIES

2013884-1 AS SHOWN

3.8	4.8	1.1	Ni PLATING	2013884-5
5	6	1.2	Ni PLATING	2013884-1
DIM B	DIM A	WEIGHT(g)	FINISH	PART NO.

THIS DRAWING IS A CONTROLLED DOCUMENT.				DWN J.MIZUSHIMA 03JUL2009		Tyco Electronics Corporation Kawasaki, Japan					
DIMENSIONS: 単位: 寸 mm				CHK H.TAGUCHI 03JUL2009		NAME T.NAKASHIMA		SHOULDER SCREW LGA115X		RESTRICTED TO -	
TOLERANCES UNLESS OTHERWISE SPECIFIED: 一般公差				APVD T.NAKASHIMA 03JUL2009		PRODUCT SPEC 製品規格 108-78586		SIZE A2		CAGE CODE 00779	
0-PLC ± ± ± 0.3 1-PLC ± ± ± 0.3 2-PLC ± ± ± 0.3 3-PLC ± ± ± 0.3 4-PLC ± ± ± 0.3 ANGLES ± ± ± 0.1				APPLICATION SPEC 取付適用規格 114-5444		DRAWING NO 番号 C=2013884		SCALE 尺度 10:1		SHEET 1 OF 1	
MATERIAL 材料				FINISH 仕上		WEIGHT SEE TABLE		CUSTOMER DRAWING		REV A1	